

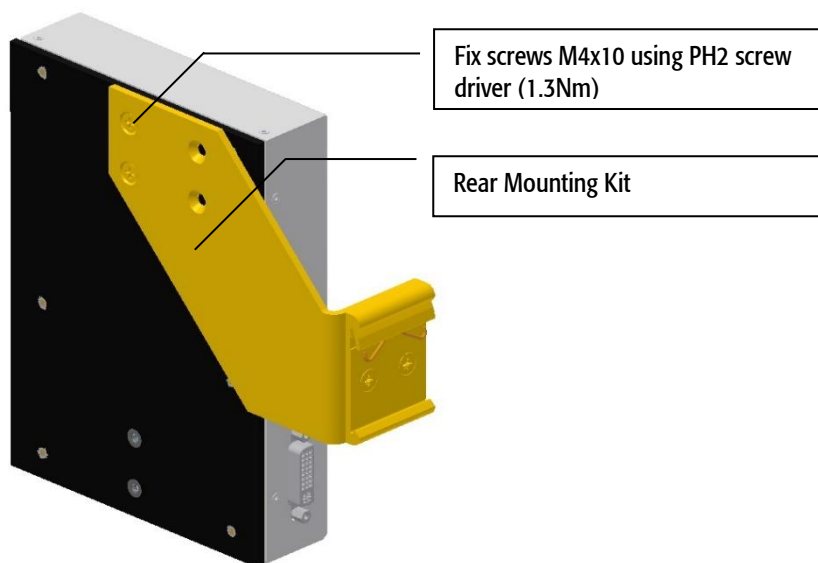
Assembling Instruction Rear Mounting Kit

IPC/MKITCP-2H

Kit applicable for: COMPACT-8 "S & M -Family" rear mounting
COMPACT-8 "SL & ML -Family" rear mounting

contains: 1x MEC/FG1334 aluminum plate
1x CPN/DINCLIP-52X39A DIN Rail Mounting Clip, 52x39 mm with 2x Torx M4x6
2x screws (M4 x 10, Phillips screwdriver size 1)

1. Assemble the Rear Mounting Kit on the bottom of the device with the delivered screws M4x10 in the wanted Position (considering the usage of connectors on the back)



2. Mount the device to the mounting rail pushing it "down" first then "in".

