

# Single Board Computer - based on PC/104 Standard

## IPC/NETIPC-6



- High performance
- Low power consumption
- Fanless operation
- Onboard connectivity
- Onboard memory
- Maintenance-free
- Long term available



### Features

#### System

- Industrial x86 Processor
- Up to 600MHz
- RAM onboard soldered
- Flash ROM Drive
- Socket for SRAM, NV-RAM
- Socket for CompactFlash
- Graphic resolution up to UXGA
- Ethernet, USB
- RS232
- Audio port AC97

#### Industrial specific properties

- Real Time Clock
- Watchdog
- Temperature supervision
- Flash BIOS (pre-configurable)
- Socket for battery buffered Memory
- ESD-protection on all interfaces
- No active cooling required

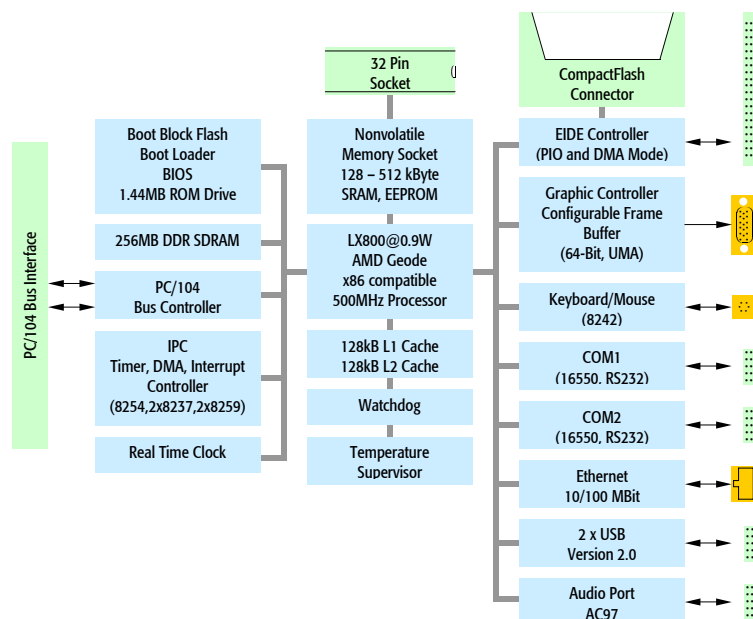
#### Supported Operating Systems

- Windows NT embedded
- Windows XP embedded
- Windows CE
- Linux
- VxWorks
- OS-9
- MS-DOS, RTX-DOS 16/32
- RTKernel 16/32
- others on request

### Tests/Certifikations

- Vibration and Shock
- EMV
- ESD
- 72 hours Burn-In

### Blockdiagram IPC/NETIPC-6A



## Specifications and Order Informations

Order Code	IPC/NETIPC-6A	IPC/NETIPC-6B <sup>4</sup>	IPC/NETIPC-6L	IPC/NETIPC-6H <sup>4</sup>					
Standard Temperature Range	•	•	•	•					
Extended Temperature Range									
<b>Processor / Performance</b>									
AMD Geode LX700@0.8W 433 MHz, 874 MIPS			•						
AMD Geode LX800@0.9W 500 MHz, 1000 MIPS	•	•							
AMD Geode LX900@1.5W 600 MHz, tbd MIPS				•					
<b>Memory</b>									
128 kB L1 Cache (64kB instruction / 64kB data)	•	•	•	•					
128 kB L2 Cache	•	•	•	•					
128 MB DDR333 SDRAM			•						
256 MB DDR400 SDRAM	•								
512 MB DDR400 SDRAM		•		•					
1,44MB ROM Floppy emulation	•	•	•	•					
32 Pin Socket for SRAM,NV-RAM, EEPROM <sup>1</sup> , DiskOnChip <sup>1</sup>	•	•	•	•					
Socket for CompactFlash IDE Mode (Typ-1)	•	•	•	•					
<b>Peripherals</b>									
Graphic Controller up to 1920x1440 resolution	•	•	•	•					
IDE Interface Standard (1 Master, 1 Slave)	•	•	•	•					
Mouse/Keyboard PS/2	•	•	•	•					
PC/104 Bus Interface	•	•	•	•					
Real Time Clock PC compatible	•	•	•	•					
Watchdog	•	•	•	•					
Temperature supervision	•	•	•	•					
Audio Port (AC97)	•	•		•					
<b>Communication Interfaces</b>									
USB Version 2.0 (high or full speed)	2	2	2	2					
Ethernet 10/100 Mbit (INTEL82551)	1	1	1	1					
RS232 ESD protected	2	2	2	2					
<b>Technical Data</b>									
Dimensions w100x h20 x d125 mm (Connector View) <sup>2</sup>	•	•	•	•					
Max. Power Consumption in Watt @ 5V	6.5	tbd	5.3	tbd					
Operating Temperature (ambient) 0° ~ +70° C	•	•	•	•					
Operating Temperature (ambient) -40° ~ +85° C <sup>3</sup>									
Storage Temperature -40° ~ +90° C	•	•	•	•					
Shock: designed to meet EN60068-2-27	•	•	•	•					
Vibration: designed to meet EN60068-2-6	•	•	•	•					
EMI-Conformity EN-55022/55024/61000-6-2/61000-6-4	•	•	•	•					
<b>User Documentation</b>									
DOC/IPC_NETIPC6-E.pdf	•	•	•	•					

<sup>1</sup> For DiskOnChip, EEPROM support please contact factory

<sup>2</sup> Non standard PC/104 mechanical dimensions

<sup>3</sup> -40°C on component level, board tested down to -25°C

<sup>4</sup> Product NOT released yet, consult factory for further information