

Industrial front-end communication unit

IPC/COMPACTA1-1KE

- Low power, high performance
- Fanless, no rotating parts
- Extended temperature
- Maintenance-free
- Long term available
- Low cost solution



Features

System

- 184MHz ARM9 32-bit processor
- MaverickCrunch co-processor
- Dual Ethernet on RJ45
- DSUB-9 serial port, selectable as RS232/RS422/RS485
- RS232 serial port on internal header
- USB on internal header

Industrial specific properties

- Real Time Clock 'Supercap Backup'
- Hardware Watchdog
- Temperature supervisor
- Flash/RAM onboard soldered
- 10-pin header for USB Flash Drive
- Socket for CompactFlash (optinal)
- ESD-protection on all interfaces
- No active cooling required
- Extended temperature operation
- Nom. 24Vdc Power Supply

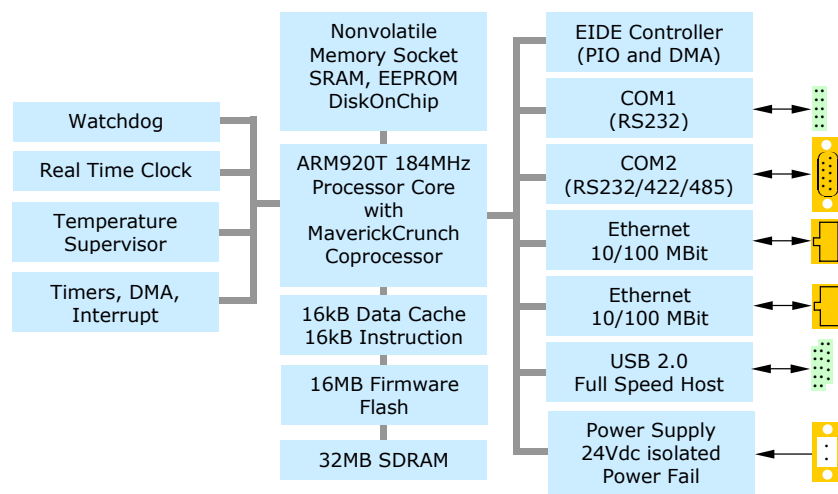
Operating Systems

- BSP for Windows CE
- BSP for Linux
- Others on request

Tests/Certifikations

- Vibration and Shock
- EMV
- ESD
- Burn-In

Blockdiagram IPC/COMPACTA1-1KE



Specifications and Order Informations

Order Code	IPC/COMPACTA1-1KE
Standard Temperature Range	
Extended Temperature Range •	
Processor / Performance	
ARM920T 32bit Core with MMU	•
Processor Clock Speed - Industrial [MHz]	184
Memory	
Instruction Cache [kB]	16
Data Cache [kB]	16
SDRAM standard [MB]	32
SDRAM optional [MB] ¹	16-128
Firmware Flash standard [MB]	16
Firmware Flash optional [MB] ¹	4 or 32
10-pin header for USB Flash Drive ²	1
Socket for CompactFlash Type 1 (IDE Mode)	optional
Peripherals	
IDE Interface (for optional CompactFlash Socket)	1
Real Time Clock (Supercap Backup, Battery optional)	•
Hardware Watchdog (100ms or 1.6s timeout)	•
Temperature supervisor	•
Communication Interfaces	
Ethernet 10/100 Mbit (RJ45)	2
RS232 ESD protected on internal header ²	1
RS232/RS422/RS485 selectable ESD protected (DSUB9)	1 (default as RS485 configured)
USB 2.0 Full Speed Host on internal header ²	2
Technical Data	
Dimensions w x h x d [mm] (Connector View)	110 x 30 x 140
Input Voltage 10...30V (nom. 24V)	•
Typ. Power Consumption in Watt @ 24V without Add-ins	2.65
Operating Temperature (ambient) -40° ~ +70° C	•
Storage Temperature -40° ~ +90° C	•
Shock: designed to meet EN60068-2-27	•
Vibration: designed to meet EN60068-2-6	•
EMI-Conformity EN-55022/55024/61000-6-2/61000-6-4	•
User Documentation	
System: DOC/COMPACTA1_KE	tbd

¹ Please contact factory for minimum order quantity information

² Board connector (system internal)